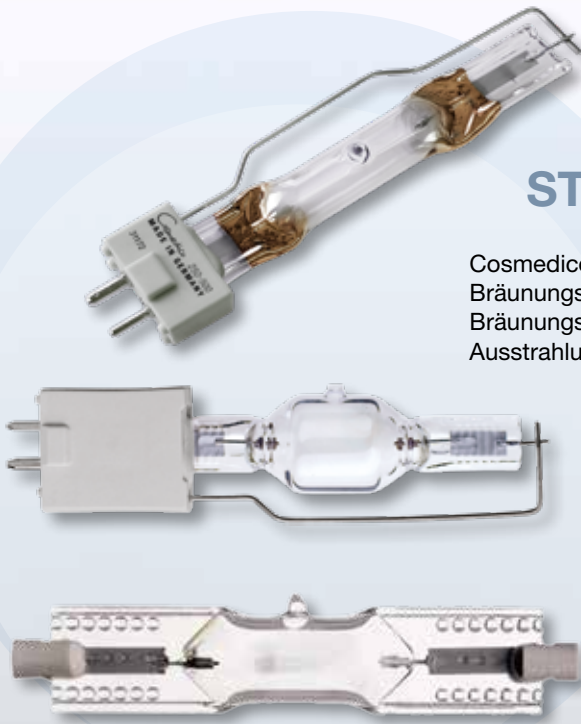


# HOCHDRUCK HIGH PRESSURE

## STANDARD

Cosmedico Standard Hochdrucklampen für eine hohe Bräunungsqualität mit dauerhafter Pigmentierung. Bräunungsergebnisse mit überzeugender natürlicher Ausstrahlung.

*Cosmedico standard high pressure lamps for high quality tanning results with long lasting pigmentation. Tanning effect with convincing natural appearance.*



## 10K100®

Cosmedico 10K100® - technologisch herausragend mit optimaler elektrischer Effizienz. Das perfekte Upgrade für jede Sonnenbank.

*Cosmedico 10K100® - technologically outstanding with optimal electrical efficiency. The perfect upgrade for any sunbed.*



## RUBINO PLUS

Cosmedico RUBINO PLUS mit perfekt ausbalanciertem Verhältnis von UV- und Rotlicht. Unvergleichliche Sofortbräune und hohe Direktpigmentierung für besonders langanhaltende Bräune. Sanfterer Bräunungsprozess durch Rotlichtanteil von 660-690 nm.

*Cosmedico RUBINO PLUS with the perfectly balanced ratio of UV and red light. Instant tan without compare and high direct pigmentation for a longer lasting tan. Gentler tanning process due to red light component in the range of 660-690 nm.*



# HOCHDRUCK HIGH PRESSURE

## STANDARD | STANDARD

|                                | Leistung<br>(W) <sup>1</sup> | Abb. | Gesamt-<br>länge<br>(mm)<br>A  | Elektroden-<br>abstand<br>(mm)<br>B | Kolben<br>Ø<br>(mm)<br>D | Sockel            | Quarz <sup>2</sup>   | NLD<br>ca.<br>(h)                  | VE<br>Stk.            | Art.-Nr.         |
|--------------------------------|------------------------------|------|--------------------------------|-------------------------------------|--------------------------|-------------------|----------------------|------------------------------------|-----------------------|------------------|
|                                | Wattage<br>(W) <sup>1</sup>  | Fig. | Overall<br>length<br>(mm)<br>A | Electrode<br>distance<br>(mm)<br>B  | Bulb<br>Ø<br>(mm)<br>D   | Base              | Crystal <sup>2</sup> | Useful<br>life<br>approx.<br>(hrs) | Pack<br>unit<br>(pcs) | Ordering<br>code |
| Cosmedico N250 Varius          | 250                          |      | 70                             | 18                                  | 14                       | Varius G12        | -                    | 1000                               | 25                    | 22027            |
| Cosmedico N 250 GY 9.5         | 200-250                      | 1    | 68                             | 18                                  | 15                       | SE-GY 9.5         | -                    | 800                                | 25                    | 24080            |
| Cosmedico N 250-500 GY 9.5     | 250-500                      | 1    | 105                            | 29                                  | 13,5                     | SE-GY 9.5         | FDA                  | 800                                | 25                    | 31172            |
| Cosmedico N 500 GY 9.5         | 400-600                      | 1    | 107                            | 31                                  | 16,3                     | SE-GY 9.5c        | OF                   | 800                                | 25                    | 24061            |
| Cosmedico M E 1000 SBSN GY 9.5 | 1000                         | 1    | 116                            | 30                                  | 25                       | SE-GY 9.5c        | FDA                  | 800                                | 25                    | 24022            |
| Cosmedico N 800 GY 9.5         | 800                          | 1    | 115                            | 35                                  | 18,5                     | SE-GY 9.5c        | OF                   | 800                                | 25                    | 24172            |
| Cosmedico N 1000 GYX 9.5       | 1000                         | 2    | 129                            | 28                                  | 24,5                     | SE-GY 9.5 L       | OF                   | 800                                | 25                    | 24171            |
| Cosmedico N 1200-1500 GY 9.5   | 1000-1200                    | 1    | 132                            | 50                                  | 24,5                     | SE-GY 9.5         | OF                   | 800                                | 25                    | 24177            |
| Cosmedico N 600 G12            | 400-600                      | (1)  | 110                            | 31                                  | 16,3                     | SE-G12            | OF                   | 800                                | 25                    | 20095            |
| Cosmedico N 400 R7s            | 300-500                      | 3    | 106                            | 31,5                                | 13,5                     | DE-R7s            | OF                   | 800                                | 25                    | 24070            |
| Cosmedico N 500 R7s            | 400-600                      | 3    | 106                            | 31                                  | 16,3                     | DE-R7s            | OF                   | 800                                | 25                    | 24075            |
| Cosmedico N 800 R7s            | 800                          | 3    | 115                            | 35                                  | 18,5                     | DE-R7s            | OF                   | 800                                | 25                    | 24179            |
| Cosmedico N 400 L              | 300-500                      |      | 114                            | 31,5                                | 13,5                     | DE-7mm lead wire  | OF                   | 800                                | 25                    | 24072            |
| Cosmedico N 1000 L             | 1000                         |      | 138                            | 50                                  | 24,5                     | DE-10mm lead wire | OF                   | 800                                | 25                    | 24170            |
| Cosmedico N 2000 L             | 2000                         |      | 171                            | 75                                  | 28                       | DE-10mm lead wire | OF                   | 800                                | 25                    | 24270            |

## 10K100® | 10K100®

|                                 |         |   |     |      |      |           |    |     |    |       |
|---------------------------------|---------|---|-----|------|------|-----------|----|-----|----|-------|
| Cosmedico 10K100 400 R7s        | 300-500 | 3 | 106 | 31,5 | 13,5 | DE-R7s    | OF | 800 | 25 | 30364 |
| Cosmedico 10K100 250-520 GY 9.5 | 250-520 | 1 | 105 | 32   | 13,5 | SE-GY 9.5 | OF | 800 | 25 | 30360 |

## RUBINO PLUS | RUBINO PLUS

|                                       |         |   |       |    |      |           |    |     |    |       |
|---------------------------------------|---------|---|-------|----|------|-----------|----|-----|----|-------|
| Cosmedico RUBINO PLUS 500W R7s        | 500     | 3 | 106   | 32 | 16,3 | R7s       | OF | 500 | 25 | 31786 |
| Cosmedico RUBINO PLUS 250-500W GY 9.5 | 250-500 | 1 | 108,5 | 32 | 16,3 | SE-GY 9.5 | OF | 500 | 25 | 31787 |

3.2019.04

<sup>1</sup> In Abhängigkeit von den Betriebsbedingungen bzw. dem Vorschaltgerät | *Depending on operating conditions and/or type of ballast*

<sup>2</sup> OF = Ozonfrei oder FDA = zugelassen für USA | *OF = Ozone free or FDA = approved for the USA*

SE = Single Ended | DE = Double Ended

NLD = Nutzlebensdauer

VE = Verpackungseinheit

Technische Änderungen und Druckfehler vorbehalten. | *Subject to technical alterations errors and misprints excepted.*



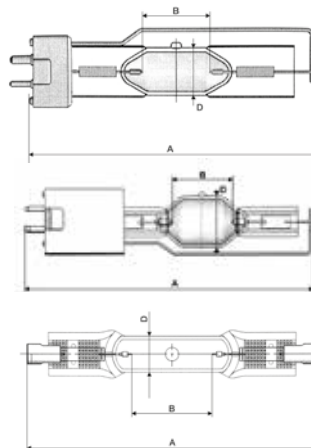
Abb. 1 | Fig. 1



Abb. 2 | Fig. 2



Abb. 3 | Fig. 3



A = Gesamtlänge | *overall length (mm)*

B = Elektrodenabstand | *Electrode distance (mm)*

D = Kolben | *bulb Ø (mm)*